

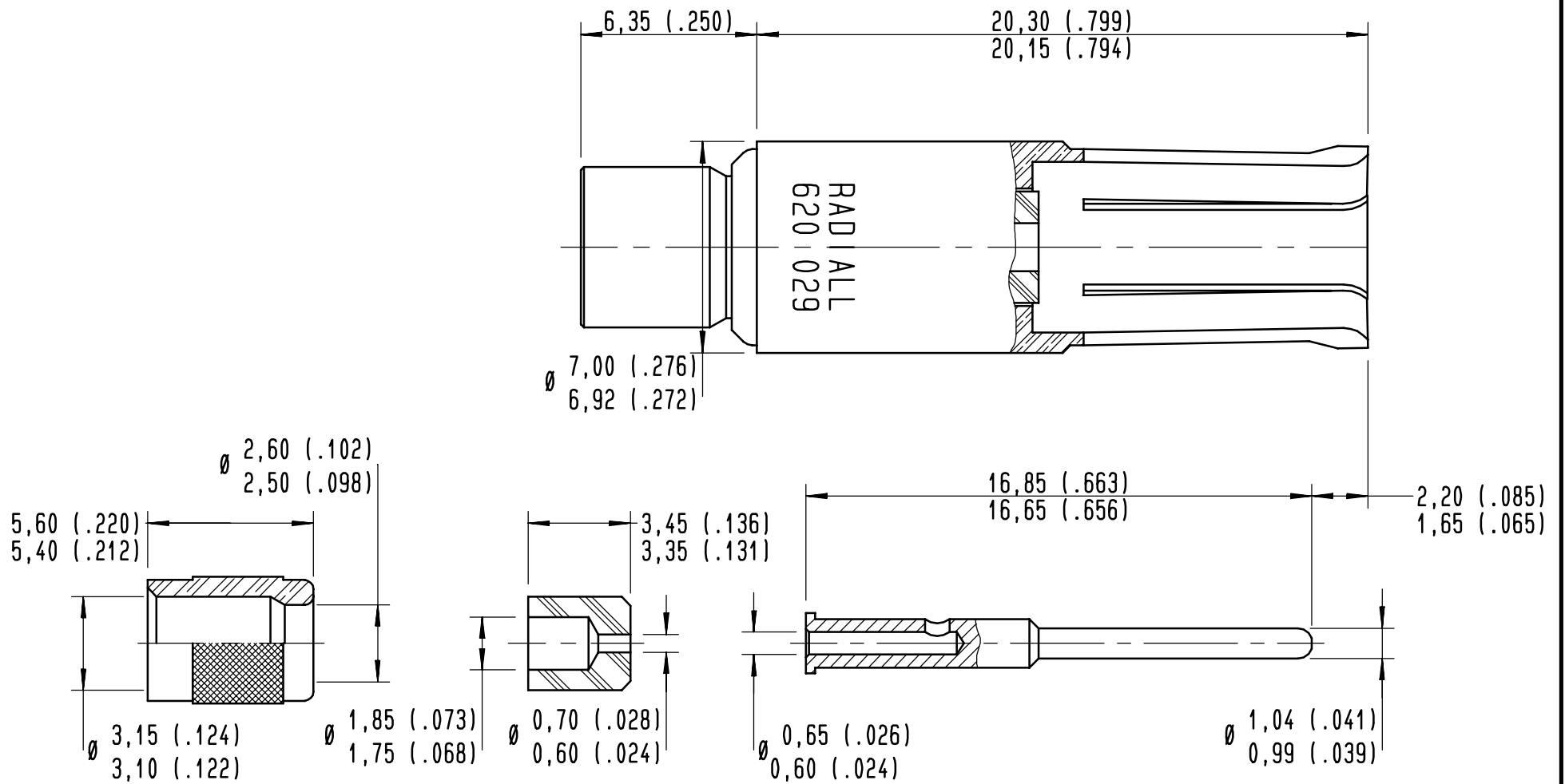


Series
NSX

SIZE 5 COAXIAL SOCKET CONTACT
FOR RD 316 CABLE

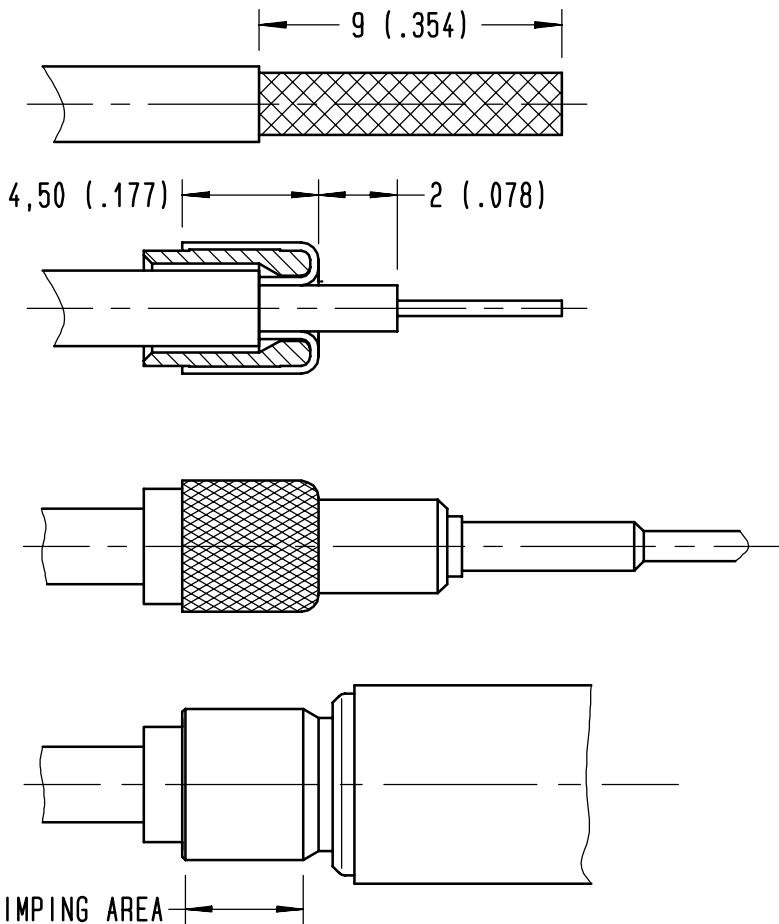
Issue:
18 NOV 96

Page
1 / 1



MATERIAL:
 OUTER CONTACT: BERYLLIUM COPPER
 INSULATOR: PTFE
 CENTER CONTACT: BRASS
 FERRULE: BRASS
FINISH (ALL METAL PARTS)
 GOLD PLATE PER MIL-G-45204: 50 MICRONS OVER NICKEL

DESIGN REQUIREMENTS
 TEMPERATURE RANGE: -65°C TO +165°C
 IMPEDANCE: 50 OHMS NOMINAL
 RATED VOLTAGE: 325 V RMS AT SEA LEVEL
 VSWR: 1.10:1 FREQUENCY RANGE : 0 - 300 MHZ
 VSWR: 1.30:1 FREQUENCY RANGE : 300 - 500 MHZ
 FREQUENCY RANGE: 0 - 500 MHZ
 DIELECTRIC WITHSTANDING VOLTAGE: 750 VRMS AT SEA LEVEL



STRIP THE BRAID AT DIMENSION SHOWN

SLIDE THE FERRULE OVER THE BRAID UNTILL IT BUTTS AGAINST CABLE JACKET
 FOLD BACK BRAID OVER FERRULE
 FOLD BRAID BACK OVER THE FERRULE
 STRIP CENTER CONDUCTOR AT DIMENSION SHOWN

SLIDE DIELECTRIC SLEEVE AND CENTER CONTACT OVER CENTER CONDUCTOR
CRIMP CENTER CONTACT USING:
 CRIMPING TOOL : M22520/2-01 RADIAL ALL 282281
 SELECTOR : 7
 POSITIONER : K345 RADIAL ALL 282550

INTRODUCE CENTER CONTACT SUB ASSEMBLY INTO OUTER CONTACT AND CRIMP USING:
 CRIMPING TOOL : M22520/5-01 RADIAL ALL 282293
 DIE : M22520/5-05 RADIAL ALL 282246 HEX B .177/FLATS (4,5)

EXTRACTION TOOL: M81969/28-01 (RADIAL ALL 282946)

CREATION				
PEN: M970104373A				
NOM: VALGRESY				
DATE: 24 APR 98				
APPR.: .				
Issue	Revisions	Name	Approved	

4112-9610